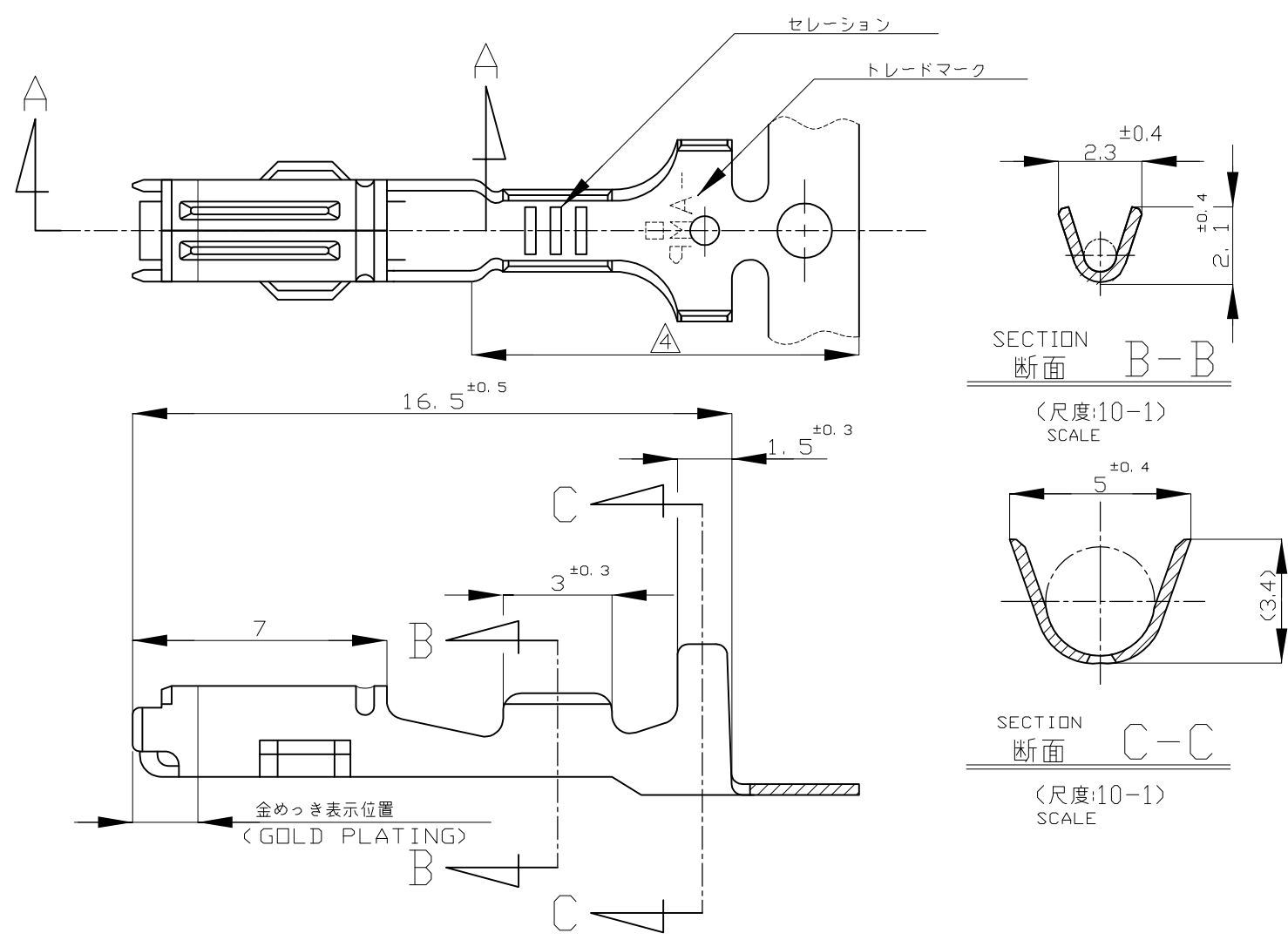


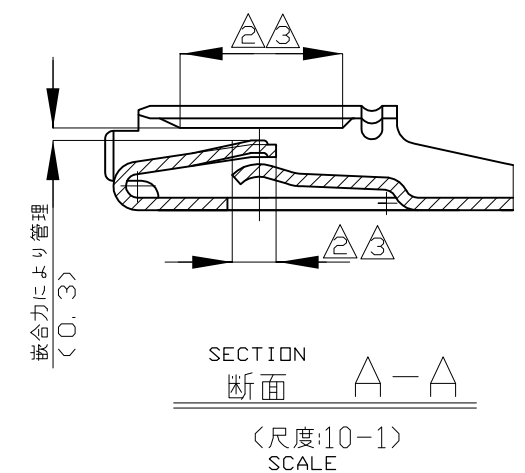
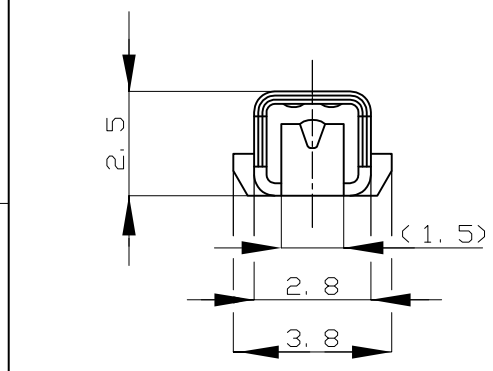
THIS DRAWING IS UNPUBLISHED. RELEASED FOR PUBLICATION  
 © COPYRIGHT - By - ALL RIGHTS RESERVED.

LOC	DIST	REVISIONS 変更					
J	-	P	LTR	DESCRIPTION	DATE	DWN	APVD
		E3		REVISED PER ECO-11-005140	28MAR11	RK	HMR



- 注
1. 嵌合相手端子型番 ; 171631
  - △部分金めっき 0.38 μm 最小
  - △部分金めっき 1.27 μm 最小
  - △部分半田めっき 2.0 μm 最小
  5. 一般公差 : 10以下±0.2 10以上30以下±0.25 30以上100以下±0.3 角度±3°

- NOTE ;
1. TAB CONTACT ; 171631
  - △ SELECTIVE GOLD PLATING 0.38 μm MIN.
  - △ SELECTIVE GOLD 1.27 μm MIN.
  - △ SELECTIVE TIN-LEAD PLATING 2.0 μm MIN.
  5. TOLERANCES UNLESS OTHERWISE SPECIFIED.  
10MAX : ±0.2 10-30 : ±0.25 30-100 : ±0.3 ANGLES : ±3°



OBSOLETE	SELECTIVE GOLD PLATING 部分金めっき △△	PHOS-BRONZE t = 0.3 リン青銅 板厚 0.3	171630-6
	SELECTIVE GOLD PLATING 部分金めっき △	PHOS-BRONZE t = 0.3 リン青銅 板厚 0.3	171630-5
	PRE-TIN 錫めっき済 (0.76 μm MIN.)	PHOS-BRONZE t = 0.3 リン青銅 板厚 0.3	171630-2
	PRE-TIN 錫めっき済 (0.76 μm MIN.)	BRASS t = 0.3 黄銅 板厚 0.3	171630-1
	FINISH 仕上	MATERIAL 材料	PART NUMBER 型番

適合電線断面積 (WIRE RENG)	被覆外径 (INSULATION DIA)
AVS 0.2-0.5mm <sup>2</sup> (AWG24-20)	1.4-2.4mmφ

THIS DRAWING IS A CONTROLLED DOCUMENT.

DIMENSIONS: 単位: 耗 mm	TOLERANCES UNLESS OTHERWISE SPECIFIED: 一般公差	DWN D.MATSUURA 24OCT07	TE Connectivity												
	<table border="1"> <tr><td>0 PLC</td><td>± -</td></tr> <tr><td>1 PLC</td><td>± -</td></tr> <tr><td>2 PLC</td><td>± -</td></tr> <tr><td>3 PLC</td><td>± -</td></tr> <tr><td>4 PLC</td><td>± -</td></tr> <tr><td>ANGLES</td><td>± -</td></tr> </table>	0 PLC		± -	1 PLC	± -	2 PLC	± -	3 PLC	± -	4 PLC	± -	ANGLES	± -	CHK T.KOHNO 24OCT07
		0 PLC		± -											
		1 PLC		± -											
2 PLC	± -														
3 PLC	± -														
4 PLC	± -														
ANGLES	± -														
MATERIAL 材料	FINISH 仕上	APVD Y.FUJIWARA 24OCT07													
SEE TABLE	SEE TABLE	NAME 名称 ECONOSEAL J MK-II CONN RECEPTACLE CONTACT													

PRODUCT SPEC 製品規格 108-5262	SIZE	CAGE CODE	DRAWING NO 番号 G-171630	RESTRICTED TO
APPLICATION SPEC 取付適用規格 114-5082	A3	00779		-
WEIGHT 0.35g	CUSTOMER DRAWING		SCALE 尺度 5:1	SHEET 1 OF 1
			REV E3	