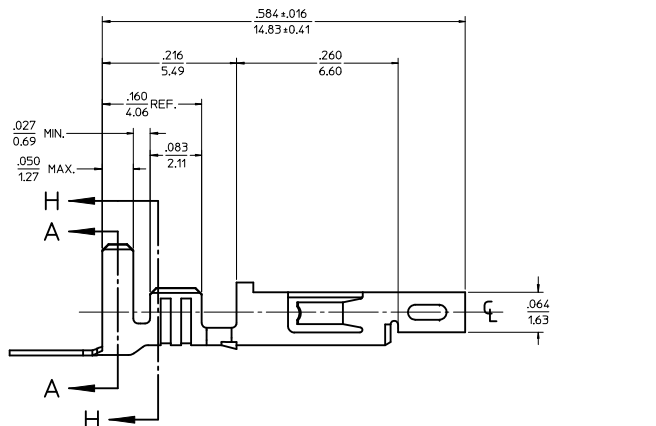
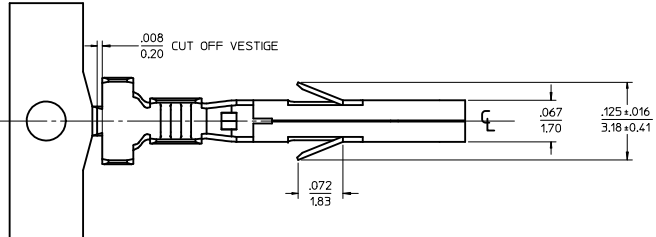
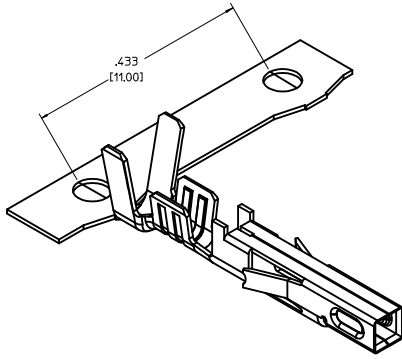


ITEM NO.	FORM	WIRE GAGE	DIM 'B'	DIM 'C'	DIM 'D'	DIM 'E'	DIM 'F'	DIM 'G'	PLATING: SEE NOTE 2
45750111	CHAIN	18-20	.142±.012 (3.60±0.30)	.177±.016 (4.50±0.40)	.035 (0.90)	.075±.012 (1.90±0.30)	.091±.016 (2.30±0.40)	.020 (0.50)	1 TIN OVER NICKEL
45750112	LOOSE	18-20	.142±.012 (3.60±0.30)	.177±.016 (4.50±0.40)	.035 (0.90)	.075±.012 (1.90±0.30)	.091±.016 (2.30±0.40)	.020 (0.50)	
45750311	CHAIN	16	.142±.012 (3.60±0.30)	.177±.016 (4.50±0.40)	.035 (0.90)	.091±.012 (2.30±0.30)	.106±.016 (2.70±0.40)	.024 (0.60)	2 SELECT GOLD OVER NICKEL
45750312	LOOSE	16	.142±.012 (3.60±0.30)	.177±.016 (4.50±0.40)	.035 (0.90)	.091±.012 (2.30±0.30)	.106±.016 (2.70±0.40)	.024 (0.60)	

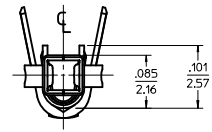
NOTES:

- MATERIAL: COPPER ALLOY .0080/(0.203) THICK
- FINISH:
 - .000100/(0.00254) MIN. BRIGHT TIN OVER .000050/(0.00127) MIN NICKEL OVERALL.
 - .000030/(0.00076) MIN. SELECT GOLD IN CONTACT AREA AND .000100/(0.00254) MIN. SELECT MATTE TIN IN CRIMP AREA OVER .000050/(0.00127) MIN. NICKEL OVERALL.
 GOLD PLATING RECOMMENDED FOR APPLICATIONS WHERE FRETTING CORROSION IS A CONCERN.
- PRODUCT SPECIFICATION: PS-45750-001 (JR)
PS-45750-002 (BM)
PS-45750-003 (TPA)
- PACKAGING SPECIFICATION : PK-45750-001 FOR CHAIN TERMINALS
PK-5556-003 FOR LOOSE TERMINALS
- TERMINAL FOR USE WITH 5557, 42474, 44516, 43760, AND 30067 SERIES HOUSINGS.
- WHEN TERMINALS ARE INSTALLED IN THE HOUSING, THE WIRES ARE TO BE DRESSED IN SUCH A MANNER TO ALLOW THE TERMINALS TO FLOAT FREELY IN THE POCKET.
- THIS TERMINAL IS DESIGNED FOR SINGLE WIRE CRIMPING.

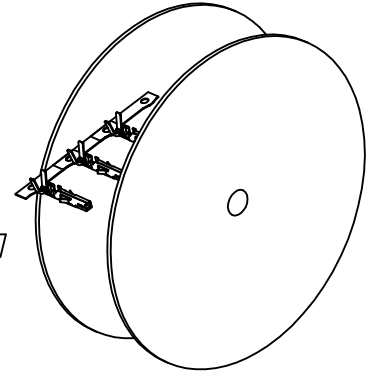


LEGEND

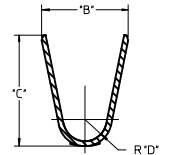
45750 * * 1 *
 BASE NUMBER: 1 = CHAIN, 2 = LOOSE
 WIRE GAGE: 1 = 18-20, 3 = 16
 PLATING (SEE NOTE 2): 1 = TIN OVER NICKEL, 2 = SELECT GOLD



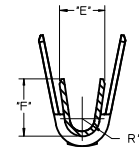
REEL WIND DIRECTION



RoHS COMPLIANT



SECTION A-A



SECTION H-H

ADDED PACKAGING NOTES IEC NO: UCP2010-0471 DRAWN: J JAGUILAR 2009/10/23 CHKD: J BELL 2009/10/23 APPROVED: SM TH 2009/10/28	QUALITY SYMBOLS ▽=0 ▽=0	GENERAL TOLERANCES (UNLESS SPECIFIED): mm INCH		DIMENSION STYLE IN/MM	SCALE 10:1	DESIGN UNITS INCH	THIRD ANGLE PROJECTION		
		4 PLACES ±.010 ±.010	3 PLACES ±.010 ±.010	2 PLACES ±0.25 ±.014	1 PLACE ±0.36 ±.014	DRAWN BY: SML DATE: 2004/01/30	CHECKED BY: MMD DATE: 2004/01/30	FEMALE CRIMP TERMINAL, H.C.S.PLUS, MINI-FIT JR. SERIES	
		ANGULAR ±1/2°		DRAFT WHERE APPLICABLE MUST REMAIN WITHIN DIMENSIONS		MATERIAL NO: SEE CHART	DOCUMENT NO: SD-45750-001	MOLEX INCORPORATED	
		SIZE D		THIS DRAWING CONTAINS INFORMATION THAT IS PROPRIETARY TO MOLEX INCORPORATED AND SHOULD NOT BE USED WITHOUT WRITTEN PERMISSION		SHEET NO. 1 OF 1			